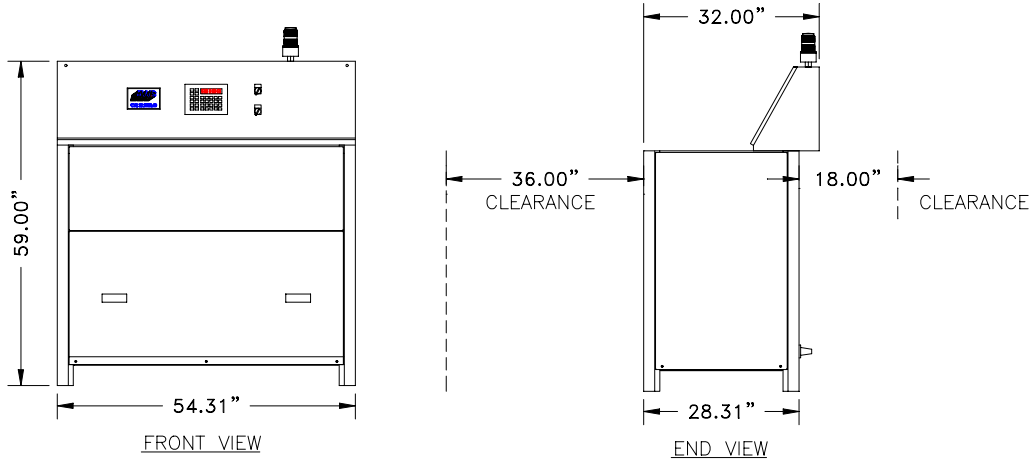




UniFlow 300 & 3000 Series

1.5 to 6 Ton Water-Cooled Fountain Circulators

Design and Component Specifications



Model #	Cooling Tons	FLA @ 460/3/60	Supply Pump HP	Return Pump Line Size	Condenser Water Requirement	Shipping Weight Lbs.	Operating Weight Lbs.
UF-300-1.5W	1.5	8	1	3/4"	5 GPM @ 10 PSID	900	1500
UF-3000-1.5W							
UF-300-3W	3	11	1.5	1"	10 GPM @ 10 PSID	950	1600
UF-3000-3W		9.4					
UF-300-5W	5	16	1.5	1"	15 GPM @ 10 PSID	1000	1700
UF-3000-5W		14					
UF-300-6W	6	16	1.5	1"	18 GPM @ 10 PSID	1000	1700
UF-3000-6W		14					

Cooling tons based on 55°F leaving fountain solution with 85°F condenser water supply.

Additional Utility Requirements

- 20 CFM of compressed air at 90 PSIG
- 8 GPM of makeup (city) water at 20-60 PSIG

300 Series Features

- Relay Logic based system with microprocessor temperature control
- Batch mix metering system with water-driven additive metering pump(s)

3000 Series Features

- PLC based control system with touch screen interface
- Accufeed metering system with DC driven additive metering pump(s)

Common Features

Connection Sizes

- Fountain: 1" Hose Barb
- Chilled Water: 1" Hose Barb
- City Water: 1" Hose Barb
- Etch: 3/8" Polytube Compression Fitting
- Air: 3/8" Polytube Compression Fitting

Warranty



AWS, a Thermal Care Division
 7720 North Lehigh Avenue
 Niles, Illinois 60714-3491
 Tel: (847) 929-1950
 Toll Free: (800) 297-6861
 Fax: (847) 966-9358

Email: info@awsintl.com
 Website: www.awsintl.com

Thermal Care is an ISO 9001:2000 certified company

Manufacturer reserves the right to change specifications or design without notice or obligation. Thermal Care is a registered trademark of MFRI, Inc.

- Fully integrated system in one stainless steel enclosure
- 50 gallon stainless steel insulated tank
- Stainless steel pipe and poly reinforced hose internal piping
- Low level tank beacon
- Dual bag filtration: two 15-micron bags, two micron lay in filter media
- Stainless steel supply pump
- Air-operated diaphragm return pump
- Water-cooled chiller with stainless steel plate heat exchanger
- Low level drum wand(s) (for 55 gallon drum)

One year parts and labor, excluding expenses